

The G-COAT 404 is an automatic coating machine that offers you the advantages of the latest Plug & Coat technology



G-COAT 404

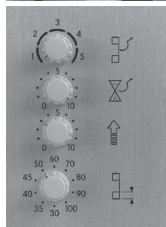
Grünig

Grünig-Interscreen AG
Ringgenmatt 14
CH-3150 Schwarzenburg
Switzerland

Phone +41 31 734 2600
Fax +41 31 734 2601
www.grunig.ch
mail@grunig.ch

G-COAT 404

Automatic coating machine



Coating carriage with parameter setting



Frame support with shifting stop piece



Option FJ

Particular characteristics

- The „PLUG & COAT“ technology allows:
Unpack, set up, coat
- The unique construction based on a central carriage guide system allows achieving a top quality at an extremely low price.
- Automatic coating process from one side.
- Coating from the printing side or from the squeegee side.
- Safe reproducibility of the coating result guaranteed for the direct wet-on-wet coating as well as for the additional coating process (tolerance +/- 1 micron).
- The relevant coating parameters, such as the number of coating cycles, the waiting time and the coating speed, can be adjusted on the carriage plate.
- Single size appliance for a maximum frame size of up to W1250 x H1500 mm (50"x59").
- On the carriage plate, the frame profile height can be adjusted in function of the respective frame size.
- The mesh contact pressure of the coating trough and its application onto the mesh is carried out by means of high-precision DC-motors.
- Extremely silent operation of the coating carriage thanks to the use of special guide profiles and a toothed belt drive unit.
- Mechanical frame support with patented shifting stop piece for the printing or squeegee side.
- The height of the mechanical frame support can be adjusted easily and without problems to the respective frame size.
- Extremely low maintenance model:
- toothed belt drive unit
- all the drive units using DC-motors
- no pneumatic elements

Coating Program

- The coating speed (between 90 and 270 cm/min.), the number of coating cycles (between 1 and 5 cycles) as well as the waiting time (between 0 and 10 seconds) can be adjusted on the coating carriage.

Option FJ

- The trough contact pressure can be continuously fine-tuned

Option K1

- Reception unit for small formats (width <420 mm)

Option K2

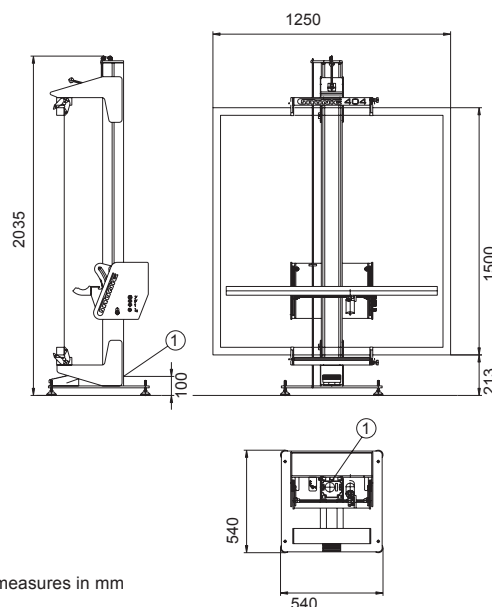
- Reception unit for screens with a profile thickness of 10-20 mm and a width of < 385 mm

Option K3

- Reception unit for screens with a profile thickness of 3-10 mm and a width of <385 mm



Screen format	SB Screen width	mm	1250
	SH Screen height	mm	1500
	Frame profile height	mm	30-100
	Frame profile thickness	mm	20-50
Size	Width	mm	540
	Height	mm	2035
	Depth	mm	540
Energy supply	Voltage	V	1 x 230+N+PE
		V	1 x 110+N+PE
	Frequency	Hz	50/60
Permanent sound-pressure level		dB (A)	< 70



All measures in mm



The machine is in compliance with the EU machinery directives (CE conformity)

Technical changes are reserved

November 14